

# VB-M42/B



## Keep every angle covered

The VB-M42 1.3 MP PTZ IP security camera combines a powerful 240x zoom, excellent low-light capability and fast auto-focus. Flexible installation options for indoor and outdoor use.



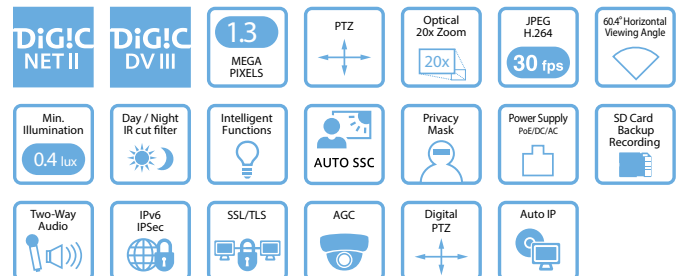
With DR41-C-VB Indoor Clear Dome Housing



- 1.3 MP PTZ IP security camera
- Powerful 20x optical zoom lens with 12x digital zoom and fast autofocus
- True Day / Night and two-way audio
- Superior image quality using Canon DIGIC DV III processor
- Canon DIGIC NET II supports dual H.264 video streams (up to 30 fps)
- Superior low-light performance: colour at 0.4 lux and mono at 0.02 lux
- Auto Smart Shade Control (Auto-SSC) improves foreground objects in bright backlit scenes
- Intelligent Functions
- Two colour options: Silver (VB-M42) and Black (VB-M42B)

### Product Range

VB-R11  
VB-H43/B  
**VB-M42/B**  
VB-S30D  
VB-S31D



# Technical Specifications

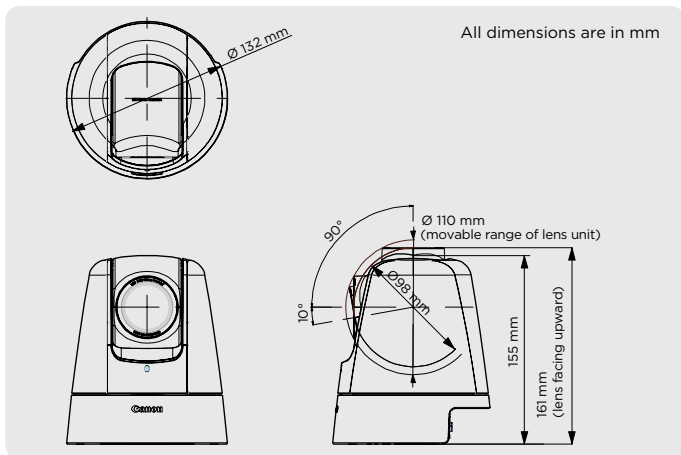
# VB-M42/B

<b>CAMERA</b>	
<b>Image Sensor</b>	1/3 type CMOS (primary colour filter)
<b>Number of Effective Pixels</b>	Approx. 1.3 million pixels
<b>Scanning Method</b>	Progressive
<b>Lens</b>	20x optical (12x digital zoom) zoom lens with auto focus
<b>Focal Length</b>	4.7 (W) – 94 mm (T) (W): maximum wide angle, (T): maximum telephoto
<b>F-number</b>	F1.6 (W) – F3.5 (T)
<b>Viewing Angle</b>	For 16:9 aspect ratios: Horizontal: 60.4° (W) – 3.2° (T) Vertical: 35.1° (W) – 1.8° (T) For 4:3 aspect ratios: Horizontal: 46.3° (W) – 2.4° (T) Vertical: 35.1° (W) – 1.8° (T)
<b>Day / Night Switch</b>	Auto / Day Mode / Night Mode
<b>Min. Subject Illumination</b>	Day Mode (colour): 0.4 lux (F1.6, shutter speed 1/30 sec., when SSC is off, 50IRE) 0.03 lux (F1.6, shutter speed 1/2 sec., when SSC is off, 50IRE) 0.01 lux (F1.6, shutter speed 1/2 sec., when SSC is on, 50IRE) Night Mode (monochrome): 0.02 lux (F1.6, shutter speed 1/30 sec., when SSC is off, 50IRE) 0.002 lux (F1.6, shutter speed 1/2 sec., when SSC is off, 50IRE) 0.001 lux (F1.6, shutter speed 1/2 sec., when SSC is on, 50IRE)
<b>Focus</b>	Auto / One-shot AF / Manual / Fixed at infinity
<b>Shooting Distance (from front of lens)</b>	Day Mode: 0.3 m (12 in.) – infinity (W), 1.0 m (3.3 ft.) – infinity (T) Night Mode: 1.0 m (3.3 ft.) – infinity (W), 1.5 m (4.9 ft.) – infinity (T)
<b>Shutter Speed</b>	1, 1/2, 1/4, 1/8, 1/15, 1/30, 1/60, 1/100, 1/120, 1/250, 1/500, 1/1000, 1/2000, 1/4000, 1/8000, 1/10000, 1/16000 sec.
<b>Exposure</b>	Auto/Auto (Flickerless)/Auto (Shutter-priority AE)/Manual (Shutter Speed, Aperture, Gain)
<b>White Balance</b>	Auto / Light Source (Daylight Fluorescent / White Fluorescent / Warm Fluorescent / Mercury Lamp / Sodium Lamp / Halogen Lamp) / Manual (One-shot WB/R Gain / B Gain)
<b>Metering Modes</b>	Center-Weighted / Average / Spot
<b>Exposure Compensation</b>	9 levels
<b>Smart Shade Control</b>	Auto / Manual / Disable Auto: 3 levels Manual: 7 levels
<b>Haze Compensation</b>	Auto / Manual / Disable Auto: 3 levels Manual: 7 levels
<b>AGC Limit</b>	5 levels
<b>Image Stabilizer</b>	2 levels (digital)
<b>Pan Angle Range</b>	340° (±170°)
<b>Tilt Angle Range</b>	100° (ceiling-mounted position: -90° – +10°)
<b>Moving Speed</b>	Pan: Max. 150°/sec., Tilt: Max. 150°/sec.
<b>SERVER UNIT</b>	
<b>Video Compression Method</b>	JPEG, H.264
<b>Video Size</b>	JPEG, H.264: 1280 x 720, 640 x 360, 320 x 180 1280 x 960, 640 x 480, 320 x 240
<b>Video Quality</b>	JPEG, H.264: 5 levels
<b>Frame Rate</b>	JPEG: 0.1 – 30 fps H.264: 1/2/3/5/6/10/15/30 fps - Values represent streaming performance from the camera. - The frame rate may be reduced due to Viewer PC's specs, the number of clients accessing at the same time, network loads, video quality settings, type or movement of the subject or other reasons.
<b>Max. Frame Rate</b>	When streaming JPEG, H.264 (1280 x 960): 30 fps When used in the following combinations: When streaming H.264(1) (1280 x 960) and H.264(2) (1280 x 960) simultaneously: 15 fps When streaming H.264(1) (1280 x 720) and H.264(2) (1280 x 720) simultaneously: 15 fps
<b>I-Frame Interval</b>	0.5 / 1 / 1.5 / 2 / 3 / 4 / 5 sec.
<b>Simultaneous Client Access</b>	Max. 30 Clients + 1 Admin Client - H.264: Max. 10 Clients
<b>Camera Control</b>	Administrator, Authorized user, Guest user (level of control varies depending on user) Max. 50 user names and passwords registered for authorized users.
<b>Access Control</b>	User authority (user name and password), Host Access Restrictions (IPv4, IPv6)
<b>Encrypted Communications</b>	SSL / TLS, IPsec (Auto Key Exchange/Manual)
<b>IEEE802.1X</b>	EAP-MD5, EAP-TLS, EAP-TTLS, EAP-PEAP
<b>Protocol</b>	IPv4: TCP / IP, UDP, HTTP, FTP, SNMPv1 / v2c / v3 (MIB2), SMTP (Client), DHCP (Client), DNS (Client), mDNS, ICMP, POP3, NTP, SMTP authentication, RTSP, WV-HTTP (Canon proprietary), ONVIF IPv6: TCP / IP, UDP, HTTP, FTP, SMTP (Client), DHCPv6 (Client), DNS (Client), mDNS, ICMPv6, POP3, NTP, SMTP authentication, RTSP, WV-HTTP (Canon proprietary), ONVIF

<b>AutoIP</b>	Available
<b>Audio Compression Method</b>	G.711 $\mu$ -law (64 kbps)
<b>Audio Communication Method</b>	Full-duplex (two-way) – Echo cancellation function compliant Sound Transfer Protocol by Canon
<b>Audio File Playback</b>	Available (audio files can be played back when an event is triggered by the intelligent function or external device input.) - Requires third-party amplifier & speaker
<b>Privacy Mask</b>	Number of registration: Max. 8 places, Number of mask colours: 1 (select from 9 colours)
<b>View Restriction</b>	Available
<b>Preset</b>	Max. 64 positions
<b>Intelligent Function</b>	Video: Detection Types: moving object detection, abandoned object detection, removed object detection, camera tampering detection, and passing detection Detection Settings: Max. 15 Volume: Volume Detection
<b>Event Trigger Type</b>	External Device Input, Intelligent Function (Video), Intelligent Function (Volume), Timer
<b>Image Upload</b>	FTP / HTTP / SMTP (e-mail) Temporary storage memory in camera: Max. approx. 5 MB Frame Rate: Max. 10 fps (JPEG) Max. 30 fps (H.264)
<b>Event Notification</b>	HTTP / SMTP (e-mail)
<b>On-Screen Display</b>	Available
<b>Daylight Saving Time</b>	Available
<b>Custom Settings</b>	Number of registers: 4 Items to Reg.: Pan / Tilt / Zoom, Exposure, Smart Shade Control, Haze Compensation, Focus, White Balance, Image Quality Adjustment, Day / Night
<b>APPLICATION</b>	
<b>Viewer</b>	Camera-side: Admin Viewer VB Viewer Client-side: RM-Lite Viewer
<b>Admin Tools</b>	Privacy Mask Setting Tool Panorama Creation Tool View Restriction Setting Tool Preset Setting Tool Intelligent Function Setting Tool Log Viewer Recorded Video Utility
<b>Included Software</b>	Camera Management Tool RM-Lite Proxy Authentication Admin Tools/Admin Viewer
<b>Language</b>	German / English / Spanish / French / Italian / Russian / Turkish / Chinese (Simplified) / Japanese
<b>INTERFACE</b>	
<b>Network Terminal</b>	LAN x1 (RJ45, 100Base-TX (auto / full-duplex / half-duplex))
<b>Audio Input Terminal (Common for LINE IN &amp; MIC IN)</b>	$\Phi$ 3.5 mm ( $\Phi$ 0.14 in.) mini-jack connector (monaural) Switch LINE IN / MIC IN in the setting page. LINE IN x1 (connect to an amplifier microphone) or MIC IN x1 (connect to a microphone w/o amplifier)
<b>Audio Output Terminal (LINE OUT)</b>	$\Phi$ 3.5 mm ( $\Phi$ 0.14 in.) mini-jack connector (monaural) LINE OUT x 1 (connect to an amplifier speaker)
<b>External Device I/O Terminal</b>	Input x 2, Output x 2
<b>Memory Card</b>	SD Memory Card, SDHC Memory Card, SDXC Memory Card Compatible. Frame Rate: Max. 1 fps (JPEG) Max. 30 fps (H.264)
<b>OTHER</b>	
<b>Operating Environment</b>	Temperature: -10°C – +50°C (+14°F – +122°F) Humidity: 5% – 85% (without condensation)
<b>Power Supply</b>	PoE: PoE power supply via LAN connector (IEEE802.3af compliant) AC Adapter: PA-V17 or PA-V18 (100 – 240 V AC) (sold separately) External power source: 24 V AC/12 V DC
<b>Power Consumption</b>	When using PoE: Max. approx. 9.2 W* When using AC Adapter PA-V17: Max. approx. 10.7 W (100 V AC) / Max. approx. 10.0 W (240 V AC) When using AC Adapter PA-V18: Max. approx. 9.9 W (100 V AC) / Max. approx. 9.4 W (240 V AC) When using DC: Max. approx. 8.6 W When using AC: Max. approx. 8.8 W * Class 0 power sourcing equipment (requests 15.4 W)
<b>Dimensions</b>	( $\Phi$ x H) $\Phi$ 132 x 155 mm ( $\Phi$ 5.20 x 6.10 in.)
<b>Weight</b>	Approx. 1140 g (2.52 lb.)

All data is based on Canon standard testing methods except where indicated. Subject to change without notice.  
™ and ®: All company and / or product names are trademarks and / or registered trademarks of their respective manufacturers in their markets and / or countries.

## Dimensions



## Connectivity



- 1 Network Interface** RJ45, 100Base-TX (Auto / Full-duplex / Half-duplex)
- 2 Power Connection Terminal** 12V DC / 24V AC
- 3 Audio Input** 3.5mm mono mini-jack
- 4 Audio Output** 3.5mm mono mini-jack
- 5 External Device I/O** 2 x Inputs / 2 x Outputs